

More extensive, highly precise door control from ASSA ABLOY Group brands:

BESAM | CORBIN RUSSWIN | HES | HID | NORTON | SARGENT | SECURITRON | YALE

The global leader in door opening solutions

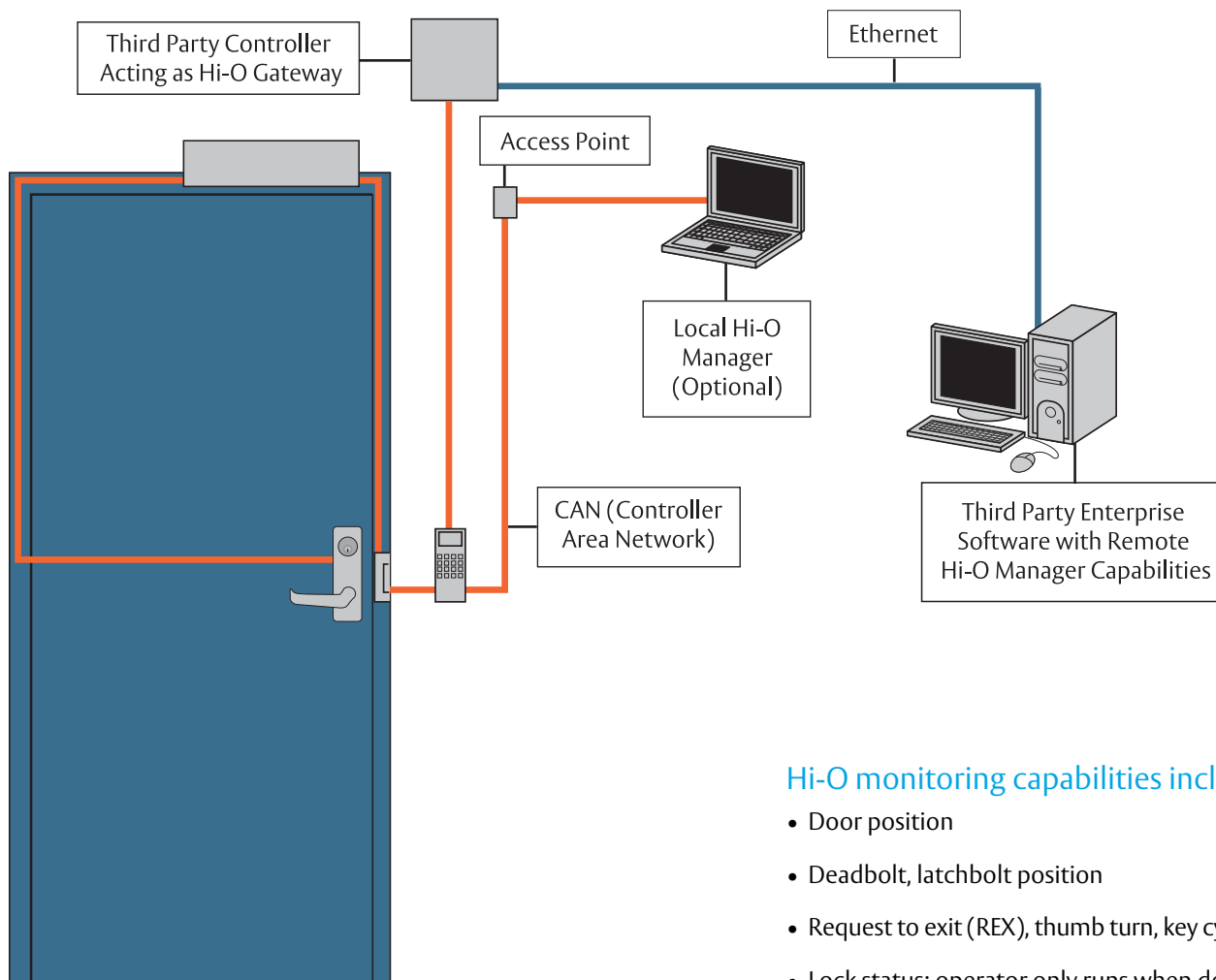
Bringing Network Intelligence to the Door

ASSA ABLOY's standard-based Hi-O system—Highly Intelligent Opening—connects electronic door components together over a CAN (Controller Area Network) data network, allowing them to communicate and monitor the health of the opening. Intelligence is built into each device instead of one centralized logic unit, creating a plug-and-play system.

Each device is instantly recognized when plugged into the system—similar to what happens when a USB device is plugged into a computer. Every unit is connected with a four-wire cable and has ElectroLynx® plug-in connectors for quick installation.



HI-O TECHNOLOGY™



Hi-O monitoring capabilities include:

- Door position
- Deadbolt, latchbolt position
- Request to exit (REX), thumb turn, key cylinder position
- Lock status; operator only runs when door is unlocked

ASSA ABLOY is the global leader in door opening solutions, dedicated to satisfying end-user needs for security, safety and convenience.

ASSA ABLOY

Hi-O Benefits & Capabilities

With Hi-O, end-users experience reduced cost of ownership for the life of an opening, fast and accurate installation, and better information of what's occurring at the opening.

- Remote and local monitoring abilities make it easy to manage installation, daily operations, diagnostics, and maintenance
- Provides immediate notification of system breach
- Assesses component cycle rate, usage, and functionality; diagnostic information makes it easier to schedule maintenance
- Troubleshoots system errors and pinpoints faulty device
- Prolongs life of all components
- Provides encrypted communications between devices

Products with Hi-O Compatibility

All components handling entrance, identity control, unlocking, door opening, burglar alarms, fire alarms, and service indicators can be connected and controlled using Hi-O. Look for the HT designation in these Hi-O enabled components:

Mortise Locks

- CORBIN RUSSWIN ML20900
- SARGENT 8200
- YALE 8800

Exit Devices

- CORBIN RUSSWIN ED5000
- SARGENT 80 Series
- YALE 7150

Door Operators

- BESAM PowerSwing
- NORTON 6900 PowerMatic

Electric Strikes

- HES 1006 and 5000

Readers

- HID iClass

Push Plates and Push Buttons

- SARGENT 4396
- SECURITRON PB2 Series

Key Switches

- SARGENT 4370
- SECURITRON MK Series



Door Security Solutions®

110 Sargent Drive

New Haven, CT 06511

800.DSS.EZ4U (377.3948) | 203.624.5225

www.assaabloydss.com | www.hi-o.se

Hardwiring Made Easy™



ElectroLynx®

As part of their promise to provide innovative, fast and effective, and higher security solutions to their customers, ASSA ABLOY Group companies offer ElectroLynx, a universal quick-connect system that simplifies the electrification of the door opening. ElectroLynx® is a registered trademark of ASSA ABLOY, Inc.