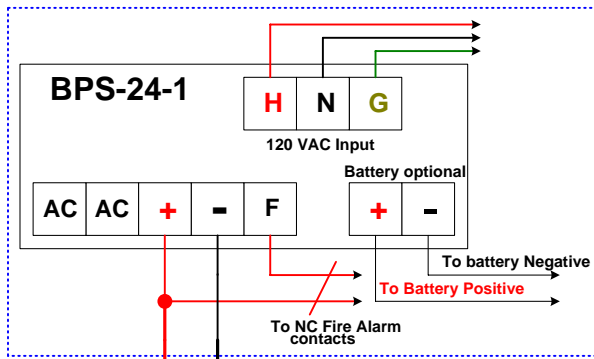


**Note: Rotating Key Switch Puts DEED in Maintained Bypass (Green LED). Rotate again to Rearm DEED (Red LED).**

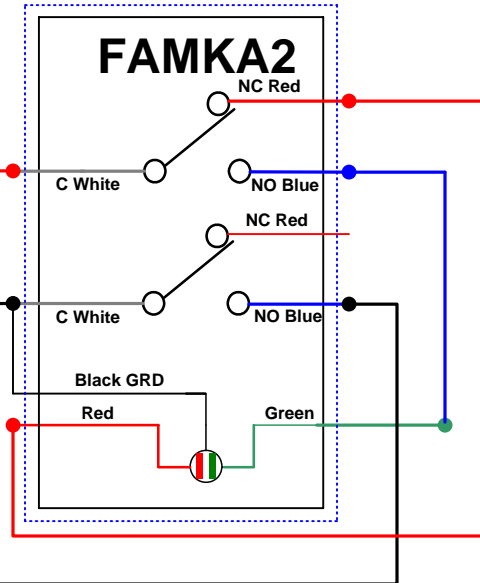


**J2 Connector**



**DEED Exit**

Hinge or Power Transfer



Interactive: [Click on Products for installation Instructions](#)

**Delayed Egress x MKA2 x BPS**