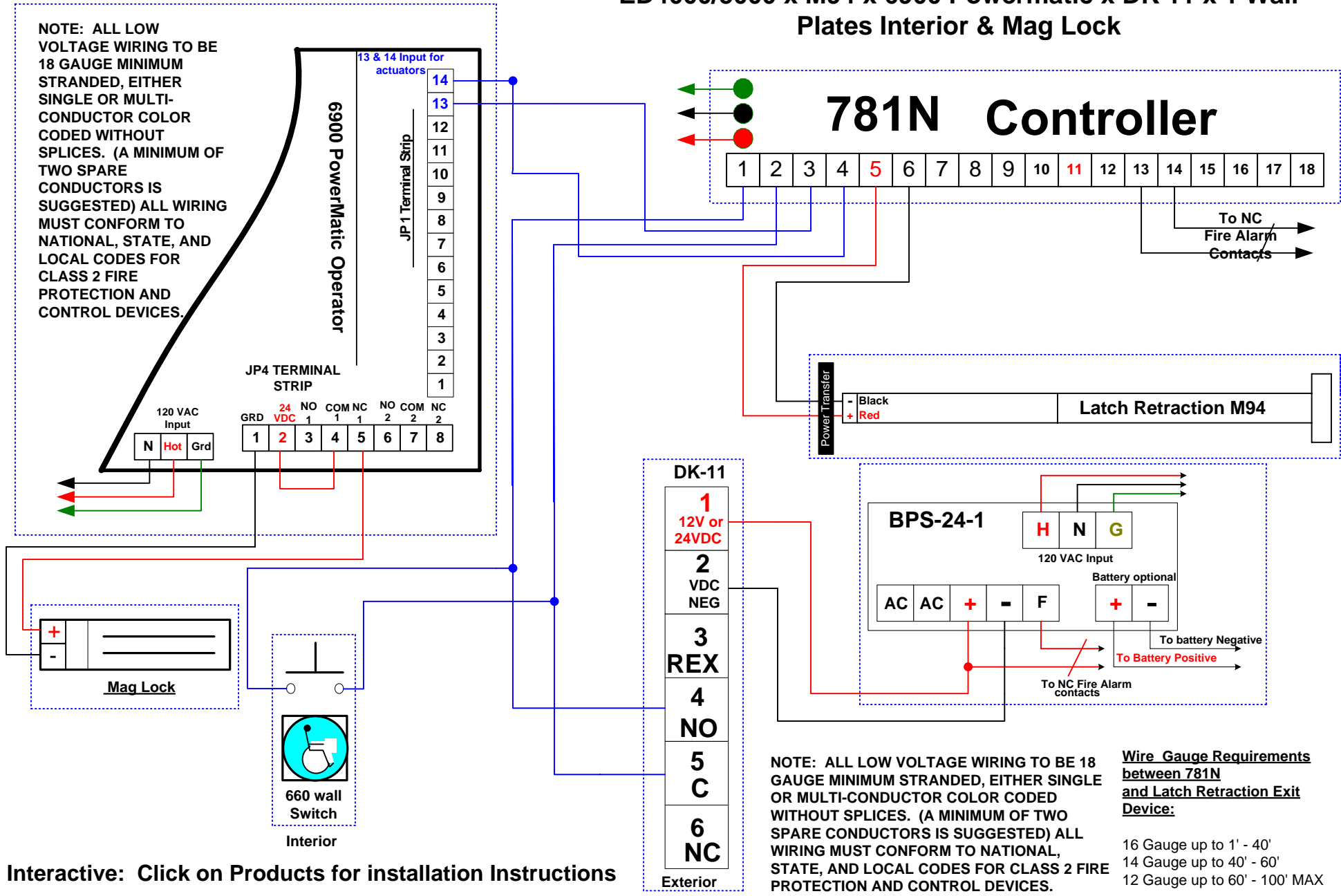


ED4000/5000 x M94 x 6900 Powermatic x DK 11 x 1 Wall Plates Interior & Mag Lock

NOTE: ALL LOW VOLTAGE WIRING TO BE 18 GAUGE MINIMUM STRANDED, EITHER SINGLE OR MULTI-CONDUCTOR COLOR CODED WITHOUT SPLICES. (A MINIMUM OF TWO SPARE CONDUCTORS IS SUGGESTED) ALL WIRING MUST CONFORM TO NATIONAL, STATE, AND LOCAL CODES FOR CLASS 2 FIRE PROTECTION AND CONTROL DEVICES.



NOTE: ALL LOW VOLTAGE WIRING TO BE 18 GAUGE MINIMUM STRANDED, EITHER SINGLE OR MULTI-CONDUCTOR COLOR CODED WITHOUT SPLICES. (A MINIMUM OF TWO SPARE CONDUCTORS IS SUGGESTED) ALL WIRING MUST CONFORM TO NATIONAL, STATE, AND LOCAL CODES FOR CLASS 2 FIRE PROTECTION AND CONTROL DEVICES.

Wire Gauge Requirements between 781N and Latch Retraction Exit Device:

- 16 Gauge up to 1' - 40'
- 14 Gauge up to 40' - 60'
- 12 Gauge up to 60' - 100' MAX

Interactive: Click on Products for installation Instructions

ASSA ABLOY

Door Security Solutions™

Drawing # WD-C017610-1001

1-800-810-WIRE

Richard L. McKeown Electromechanical Product Support