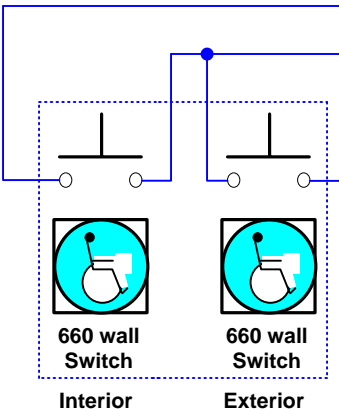
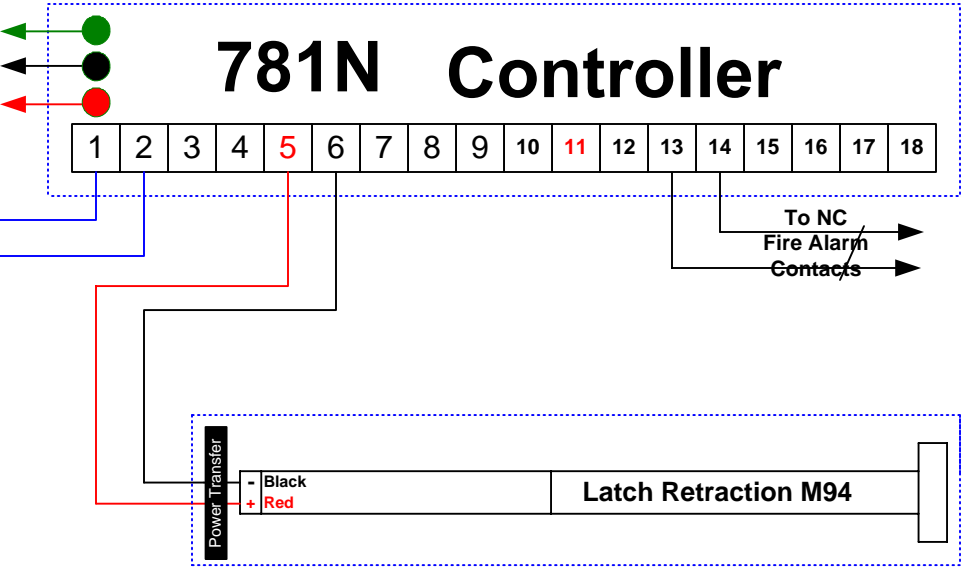
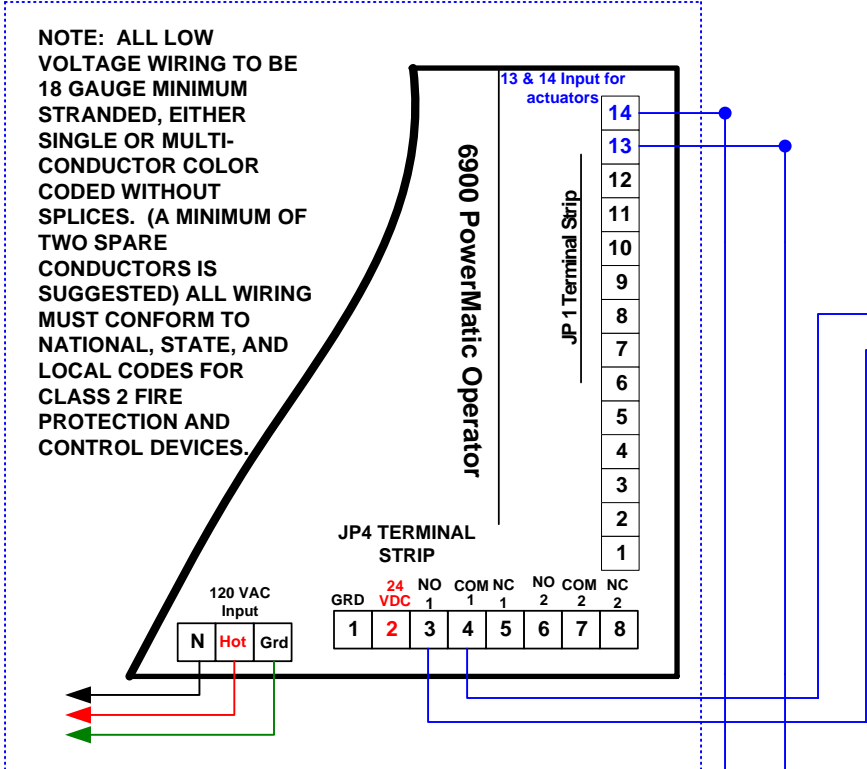


Interactive: Click on Products for installation Instructions



**NOTE: ALL LOW VOLTAGE WIRING TO BE 18 GAUGE MINIMUM STRANDED, EITHER SINGLE OR MULTI-CONDUCTOR COLOR CODED WITHOUT SPLICES. (A MINIMUM OF TWO SPARE CONDUCTORS IS SUGGESTED) ALL WIRING MUST CONFORM TO NATIONAL, STATE, AND LOCAL CODES FOR CLASS 2 FIRE PROTECTION AND CONTROL DEVICES.**

**Wire Gauge Requirements between 781N and Latch Retraction Exit Device:**  
 16 Gauge up to 1' - 40'  
 14 Gauge up to 40' - 60'  
 12 Gauge up to 60' - 100' MAX

**ED4000/5000 x M94 x 6900 Powermatic x 2 Wall Plates**