

OVERVIEW

The Norton® #2 Overhead Door Holder is for application on the inactive leaf of a pair of doors where the function and cost of a door closer is not warranted. It permits the inactive leaf to be held open when the full opening of the pair is required. It can also be installed on doors with a closer when it is desired to have the hold open function separate from the door closer.

These handed door holders are for application on the push (stop) side of the door, and require a 1-1/2" (38mm) minimum frame soffit width. The bracket with friction hold open mechanism is mounted to the frame soffit. The forearm shoe is mounted to the top rail of the door, requiring a 1-3/4" (44mm) minimum top rail. An auxiliary stop is recommended when this door holder is used.

This door holder is also available with a soffit plate (1618D) which extends the center line of the hold open mechanism 5" (127mm) from the surface of the door. This application provides arm geometry for the door holder installation that is similar to the door closer installation on the opposite door leaf. This door holder with soffit plate is also available with an angle bracket (2022) for installation on doors with a flush transom condition.

FEATURES

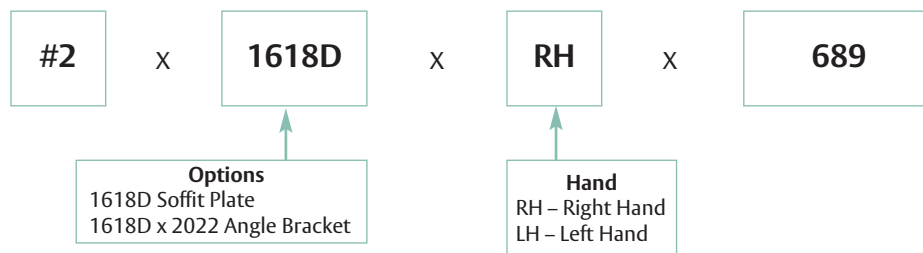
Reliable Hold Open Mechanism: Holder incorporates the same friction type hold open mechanism used in other Norton door closers with hold open arms.

Adjustable 90° -180° Hold Open: Degree of door hold open can be selected between 90° and 180° by template location and adjustment of the holder nut.

Rugged Construction: The forearm arm is heavy-gauge steel; the shoe, the main arm and soffit plate with mating friction surfaces are heavy cast iron.

Handed: Norton #2 Door Holder is handed.

HOW TO ORDER



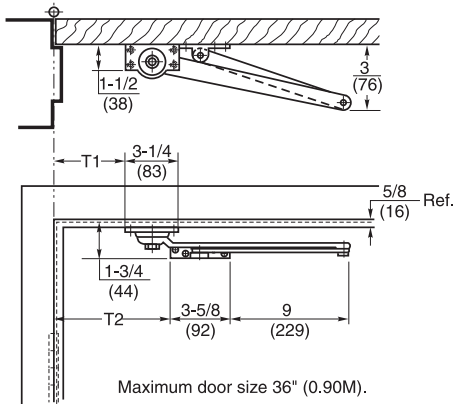
#2 Overhead Door Holders



ASSA ABLOY

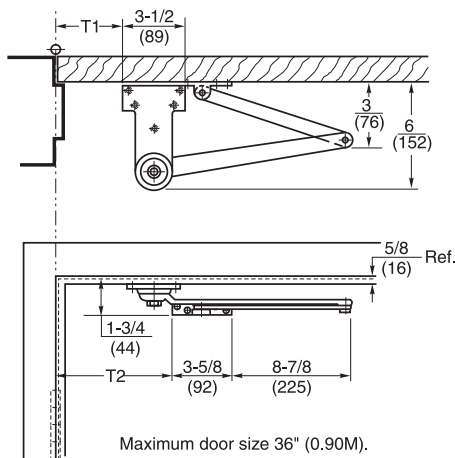
PUSH SIDE
INSTALLATION

No. 2 Door Holder



| Hold Open | Template Position | |
|-----------|-------------------|-----------------|
| | T1 | T2 |
| 90° | 7-1/4 (184) | 10-1/8 (257) |
| 180° | 4-1/4 (108) | 7-1/8 (181) |

No. 2 Door Holder x 1618D Soffit Plate



| Hold Open | Template Position | |
|-----------|-------------------|-----------------|
| | T1 | T2 |
| 90° | 7-3/8 (187) | 10-1/8 (257) |
| 180° | 4-3/8 (111) | 7-1/8 (181) |

SPRAYED
FINISHES

| Description | Specify Norton® (BHMA) Designation | Complements the following finishes | Old Norton Designation |
|--------------------|------------------------------------|------------------------------------|------------------------|
| Aluminum | 689 | 628, 625, 629, 630, 651, 652 | AL |
| Statuary Bronze | 690 | 640, 613 | STAT |
| Dull Bronze | 691 | 612, 637, 639 | DB |
| Black | 693 | 315 | 315 |
| Medium Amber | 694 | 312 | 312 |
| Gold | 696 | 605, 606, 632, 633 | GB |
| Prime Coat (Beige) | 600* | | SRI |

Norton #2 Overhead Door Holders are available in the following sprayed finishes. Order sprayed finishes by the Norton symbol.

*600 is a special rust-inhibiting prime coat. Holders can be ordered prime coat only (specify holder x 600). An additional charge applies if finish coat is required over prime coat.

#2 - 3



ASSA ABLOY

For a complete listing of products and applications please visit our web site.
www.nortondoorcontrols.com
www.assaabloydsscanada.ca

Or contact us at:

Norton Door Controls
3000 Highway 74 East
Monroe, NC 28112
Tel: 877-974-2255
Fax: 800-338-0965

ASSA ABLOY Door Security Solutions Canada
160 Four Valley Drive
Vaughan, Ontario L4K 4T9 Canada
Tel: 800-461-3007
Fax: 888-940-3242

Norton® is a registered trademark of Yale Security Inc., an ASSA ABLOY Group Company. These materials are protected under U.S. copyright laws. All contents current at time of publication. Copyright © 1999, 2008, Yale Security Inc., an ASSA ABLOY Group Company. All rights reserved. Reproduction in whole or in part without the express written permission of Yale Security Inc. is prohibited.

ASSA ABLOY is the global leader in door opening solutions, dedicated to satisfying end-user needs for security, safety and convenience.