

## Newly Designed Front Bar Insert ED8000 Series Exit Device

Corbin Russwin announces a product enhancement to the ED8000 Series Pushpad Exit Device that incorporates a newly designed front bar insert. The new insert makes installation of the device easier and is part of Corbin Russwin's continuing design improvement initiative.

The new front bar insert is now shipping with all ED8000 Series exit devices. Until installation instructions are revised showing the new part, a green addendum page will be included in the product packaging (see below).

There is no change in product pricing as a result of this enhancement, and all catalogs and parts manuals will be revised accordingly.




**New Front Bar  
Insert**



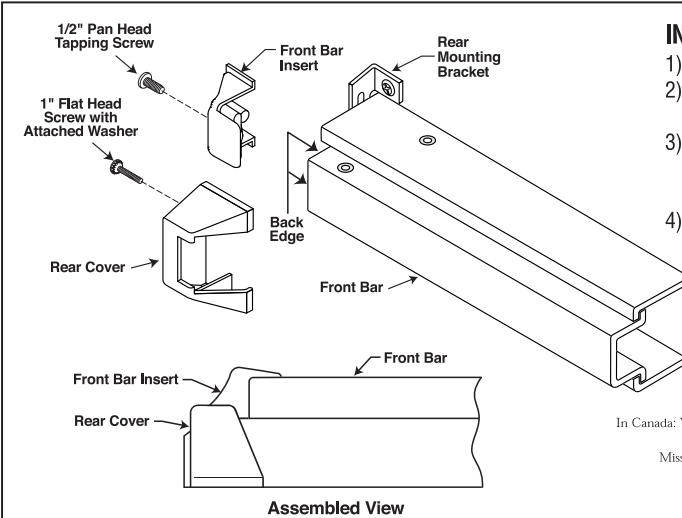
**Old Front Bar  
Insert**

For additional information on this or other Corbin Russwin products, please contact Product Manager John Kelly at (800) 438-1951 ext. 277 or [jkelly@ysgsecurity.com](mailto:jkelly@ysgsecurity.com).



**NEW DESIGN FRONT BAR INSERT**

**FM 217 7/03**  
**(617417350)**



**INSTRUCTIONS:**

- 1) Slide Front Bar Insert over end of Front Bar.
- 2) Assemble 1/2" pan head tapping screw through Insert mounting hole.
- 3) While holding Insert flush against back edge of Front Bar, tighten screw to bottom of recessed mounting hole.
- 4) Install Rear Cover using 1" flat head screw with attached washer.

In Canada: Yale-Corbin Canada LTD  
6940 Edwards Boulevard  
Mississauga, ONT, L5T 2W2  
Phone: 800-461-3007  
Fax: 800-461-8989  
[www.yalecorbin.on.ca](http://www.yalecorbin.on.ca)

In U.S.: Corbin Russwin, Inc.  
1902 Airport Road, Monroe NC 28110  
Phone: 800-543-3658  
Fax: 800-447-6714  
[www.corbin-russwin.com](http://www.corbin-russwin.com)

Corbin Russwin Architectural Hardware • 225 Episcopal Road • Berlin, CT 06037 • Phone: 800-543-3658 • Fax: 800-447-6714

Corbin Russwin and Design® is a registered trademark of Corbin Russwin, Inc., an ASSA ABLOY Group company. Other products' brand names may be trademarks or registered trademarks of their respective owners and are mentioned for reference purposes only. These materials are protected under US copyright laws. All contents current at time of publication. Corbin Russwin, Inc., an ASSA ABLOY Group Company, reserves the right to change availability of any item in this catalog, its design, construction, and/or its materials. Copyright © 2003, 2009 Corbin Russwin, Inc., an ASSA ABLOY Group company. All rights reserved.

Reproduction in whole or in part without the express written permission of Corbin Russwin, Inc. is prohibited.

47190-5/09R