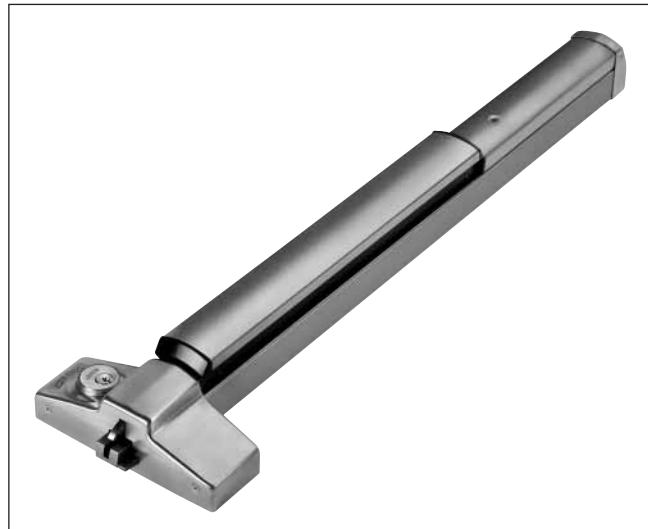


ED5002 Series Double Cylinder Exit Devices



Corbin Russwin Architectural Hardware introduces the ED5002 Series line of double cylinder exit devices. This new line incorporates double cylinder function rim, SecureBolt™ and mortise exit devices.

Providing extra security in any application, ED5002 Series double cylinder exit devices are also an ideal fit with Corbin Russwin's line of double cylinder classroom security products, such as the CL3352 intruder cylindrical lock and the ML2072 classroom security mortise lock. Unlike traditional devices, the double cylinder exit device allows locking from the inside, eliminating the chance of exposure to outside threat.

Features:

- Fits doors 1-3/4" to 2-1/4" (must specify for mortise applications)
- Double cylinder components are packed complete with exit device to be used in conjunction with 9M55 heavy-duty trim for mortise devices and 955 heavy-duty trim for SecureBolt™ and rim devices
- Mortise device utilizes standard rim cylinder on inside, mortise cylinder on outside
- All standard finishes available
- UL Panic & Fire-listed
- Handing must be specified
- All options for ED5000 Series available, except Intellikey®

Availability:

The ED5002 Series double cylinder exit device is available for ordering immediately, with shipments to begin September 26, 2003.

Pricing:

Please see attached price sheet addendum or contact your Corbin Russwin sales representative.

ED5002 Series Double Cylinder Exit Devices

How to Order:

Double Cylinder Mortise Exit Device – Specify ED5602L (Panic) or ED5602AL (Fire)

Double Cylinder SecureBolt™ Exit Device – Specify ED5202S (Panic) or ED5602SA (Fire)

Double Cylinder Rim Exit Device – Specify ED5202 (Panic) or ED5202A (Fire)

Note: 1. Double cylinder exit devices are not available with surface or concealed vertical rods.

2. Double cylinder exit devices utilize 900 Series heavy-duty classroom function (ANSI 08) trims only.

Order Examples:

ED5602AL x N9M55 x 630 x RHR

ED5602AL	x	N9M55	x	630	x	RHR
Double Cylinder Mortise		Newport Lever Heavy-duty Trim Cylinder Controls Lever		Satin Stainless Steel Finish		Right Hand Reverse

ED5202SA x L955 x 626 x LHR

ED5202SA	x	L955	x	626	x	LHR
Double Cylinder SecureBolt™ Fire-Rated		Lustra Lever Heavy-duty Trim Access by Key & Lever		Satin Chromium Plated Finish		Left Hand Reverse

For more information on this and other Corbin Russwin products, please contact your local sales representative.