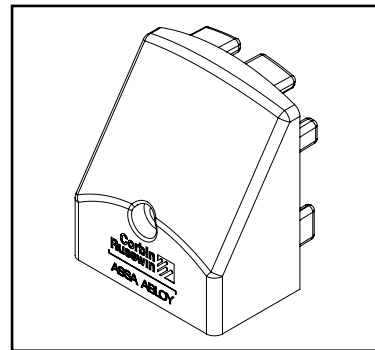


ED4000 and ED5000 Series

Flush End Cap



Corbin Russwin Introduces Flush End Cap For Use With ED4000 and ED5000 Series Exit Devices

Corbin Russwin is pleased to announce the availability of the flush end cap for use with the ED4000 and ED5000 series exit devices.

In many situations, end caps on exit devices installed in high use applications, such as cross corridors, are at risk of being torn from the door due to impact received from vehicles traveling through the door opening. The Corbin Russwin flush end cap is created from durable heavy-duty cast steel or stainless steel, sits flush on the exit device rail and has a low profile which eliminates catch points. This helps the exit device end cap withstand abuse received from carts, gurneys or other vehicles.

This flush end cap is compatible with all Corbin Russwin ED4000 and ED5000 series exit devices and is available in all finishes. There is a retrofit kit available for existing exit device installations which includes a flush end cap, a bracket, and a fastener.

Features:

- Heavy-duty cast steel or stainless steel
- Angled and low-profile without catch points
- Flush Mounted
- Field Retrofittable

How to Order:

Exit Device with Trim; Single Opening

Quantity	Exit Device	Trim / Function	Finish	Hand	Miscellaneous Options	Keying
12	ED5200S	N955	630	RHR	M110	PHS

To order a retrofit kit specify part number: 710F00M x finish

product bulletin